

Pendant light 40 x 10

GERA light system 6

www.gera-leuchten.de

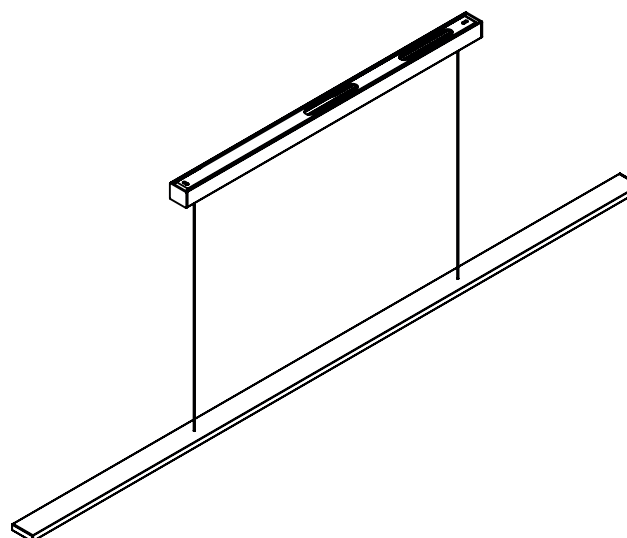
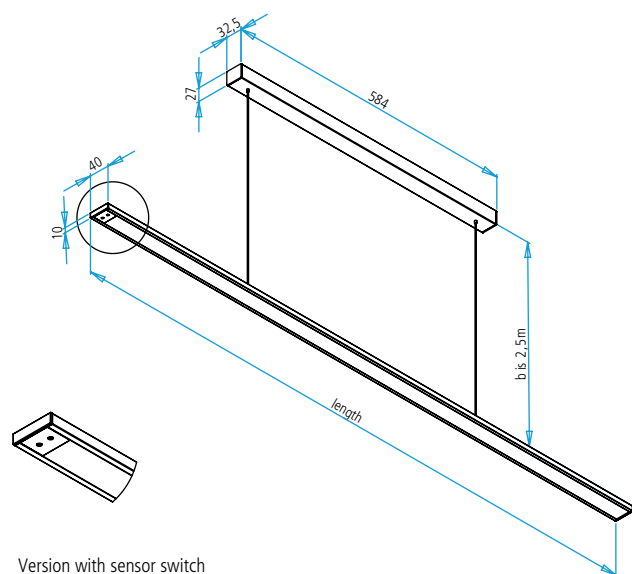
Technical Information 06/28/2016

Light connection	left/middle/right, directly on the connecting terminal
Length of light	minimum 900 mm maximum 4000 mm
Suspension cable length	adjustable from 0,2 m – 2,5 m
Acryl cover	delivered in a shorter form due to heat expansion
Surface	anodised aluminium coloured anodised stainless steel coloured anodised black-brown coloured
Features	can be dimmed using sensor switch

Light distribution diagram

Kelvin	2700	4000	120°	Distance
Lux	2100	2360	•	250 mm
	930	1010	•	500 mm
	510	580	•	750 mm
	330	360	•	1000 mm

Nominal voltage	230 V, 50 – 60 Hz
Illuminant	LED
Light colour	2700 K (warm white) 4000 K (neutral white)
Brightness	1600 lm/m
Power	19 W/m
Energy efficiency class	A+
Protection class	◊
Protection type	IP 20



Dimensions in mm