

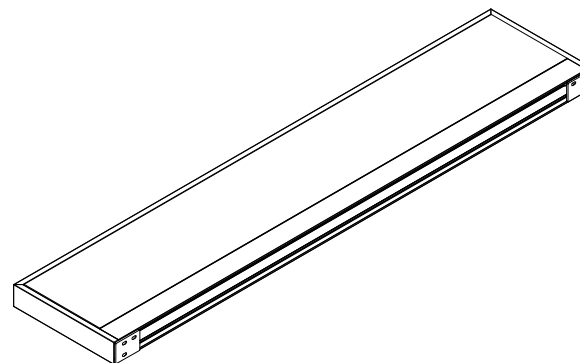
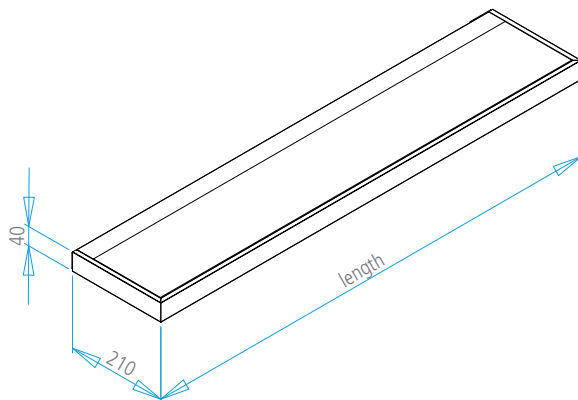
Light board 100

www.gera-leuchten.de

Technical Information 06/28/2016

Light connection	middle, directly on the connecting terminal The board (Master/Slave) has to be connected on site.
Length of light	minimum 600 mm maximum 1200 mm
Capacity	5 kg/m
Surface	anodised aluminium coloured anodised black-brown coloured
Shelves	satin-finished single-pane safety glass 8 mm
Base dimensions	978 x 159 x 8 mm
Features	micro button switch, white adaptation - adjustable from warm white to cold white and dimmable

Nominal voltage	230 V, 50 - 60 Hz
Illuminant	LED
Light colour white adaptation	2700 - 6500 K
Brightness	500 lm/m
Power	7,5 W/m
Energy efficiency class	A+
Protection class	◊
Protection type	IP 20



Dimensions in mm