

Shelf

GERA light system 4

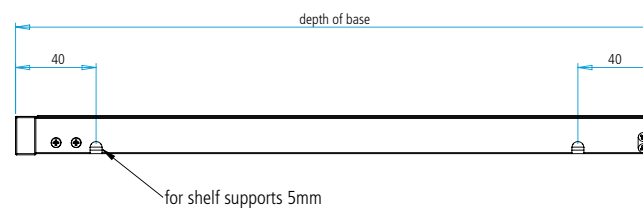
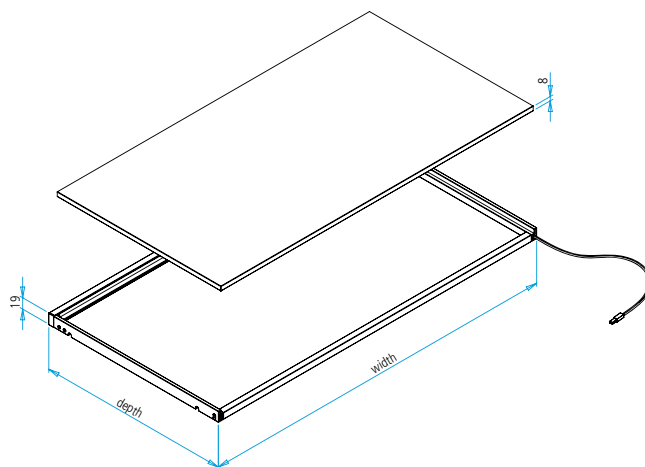
Technical Information 06/28/2016

Light connection	left, connecting cable 1,5 m with mini plug
Width/depth	minimum 300 mm / 100 mm maximum 1200 mm / 650 mm
Capacity	50 kg/m ²
Attachment	lay on shelf supports
Surface	anodised aluminium coloured anodised stainless steel coloured
Features	sensor switch on/off (optional) satin-finished single-pane safety glass

Light distribution diagram

Kelvin	2700	4000	120°	Distance
Lux	1060	1150	•	250 mm
	610	660	•	500 mm
	340	380	•	750 mm
	220	250	•	1000 mm

Nominal voltage	24 V DC
Illuminant	LED
Light colour	2700 K (warm white) 4000 K (neutral white)
Brightness	1000 lm/m
Power	14,5 W/m
Energy efficiency class	A+
Protection class	⚡
Protection type	IP 20



Dimensions in mm