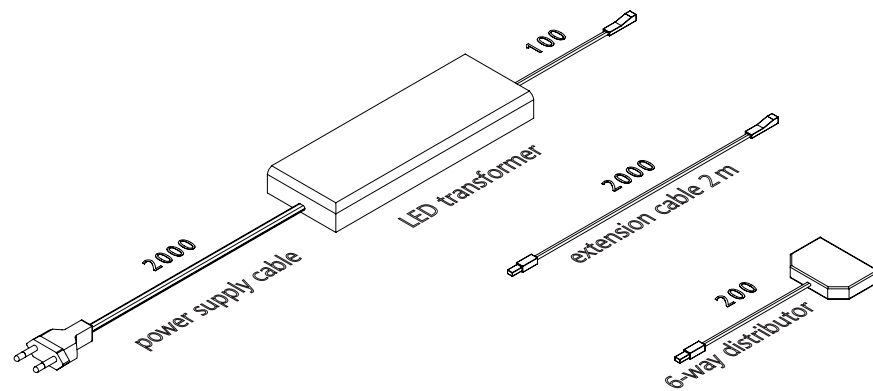


GERA transformer LED

www.gera-leuchten.de

Technical Information 06/28/2016

Nominal voltage	230 V, 50 – 60 Hz
Supply unit	electronic transformer
Connecting cable	2 m with Euro plug
Distributor	6-fach distributor mini plug system
Power/dimension	30 Watt/160x58x18 mm
	50 Watt/185x64x22 mm
	75 Watt/200x64x30 mm



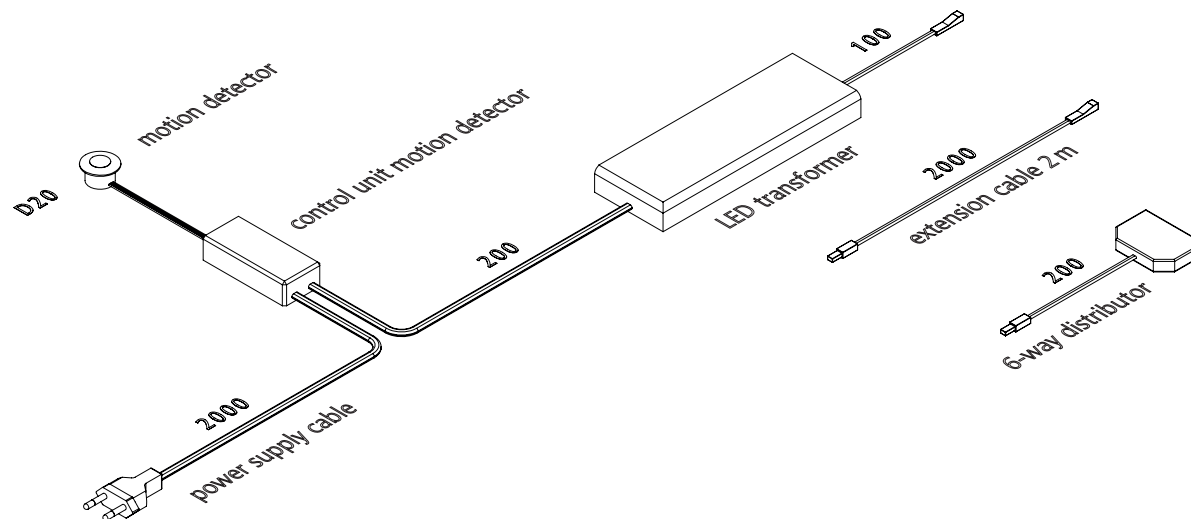
** L x W x H
Dimensions in mm

GERA control unit LED with motion detector

www.gera-leuchten.de

Technical Information 06/28/2016

Nominal voltage	230 V, 50 – 60 Hz	
Supply unit	electronic transformer	
Pilot control unit dimensions	78x36x19 mm	
Motion detector	Installation diameter	20 mm
	Range	0,5 - 2,5 m
	Detection radius	80°
	Running time	10 sec - 3 min
Connecting cable	2 m with three-pin plug	
Distributor	6-fach distributor mini plug system	
Power/dimension	30 Watt/160x58x18 mm	
	50 Watt/185x64x22 mm	
	75 Watt/200x64x30 mm	



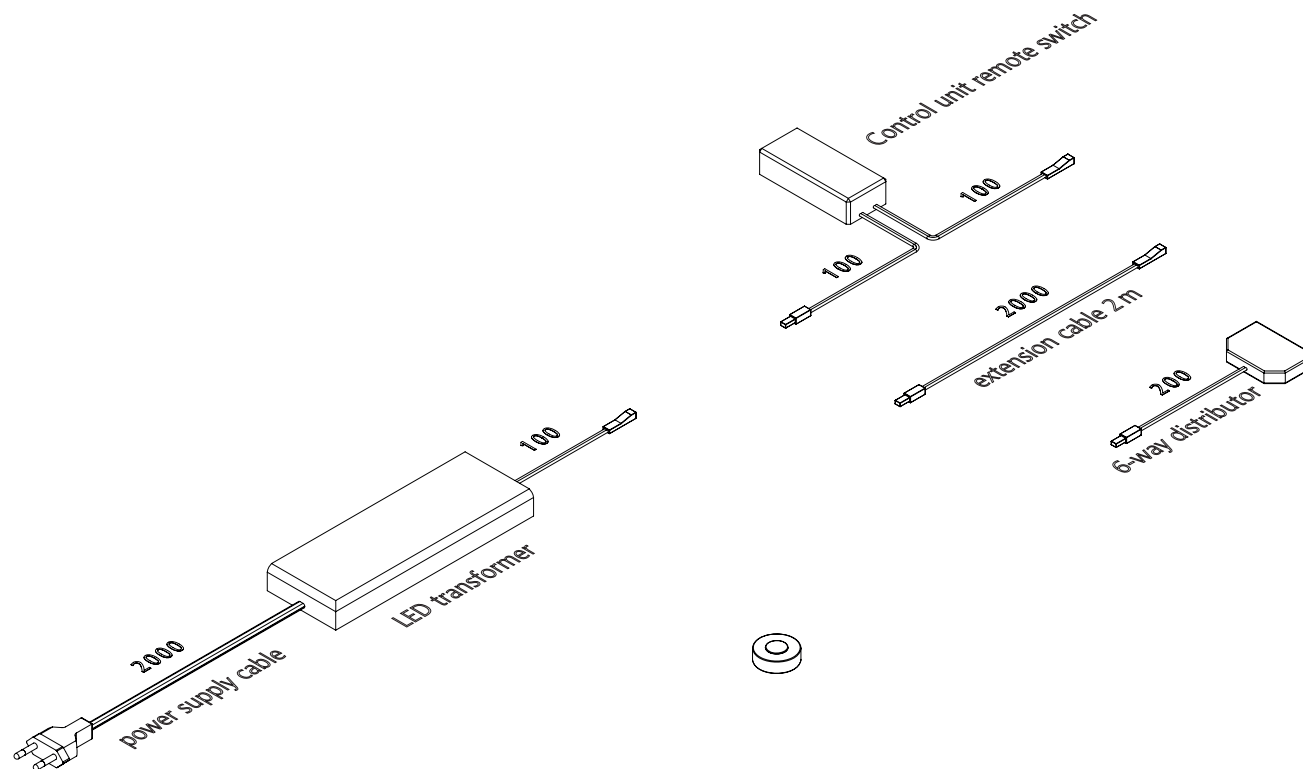
** L x W x H
Dimensions in mm

GERA LED control unit
with remote control

www.gera-leuchten.de

Technical Information 06/28/2016

Nominal voltage	230 V, 50 – 60 Hz
Supply unit	Electronic transformer
Connecting cable	2 m with Euro plug
Control unit/dimension	Receiver/85x37x20 mm
Operation	Remote switch
Distributor	6-fach Distributor mini connect system
Power/dimension	30 Watt/160x58x18 mm 50 Watt/185x64x22 mm 75 Watt/200x64x30 mm



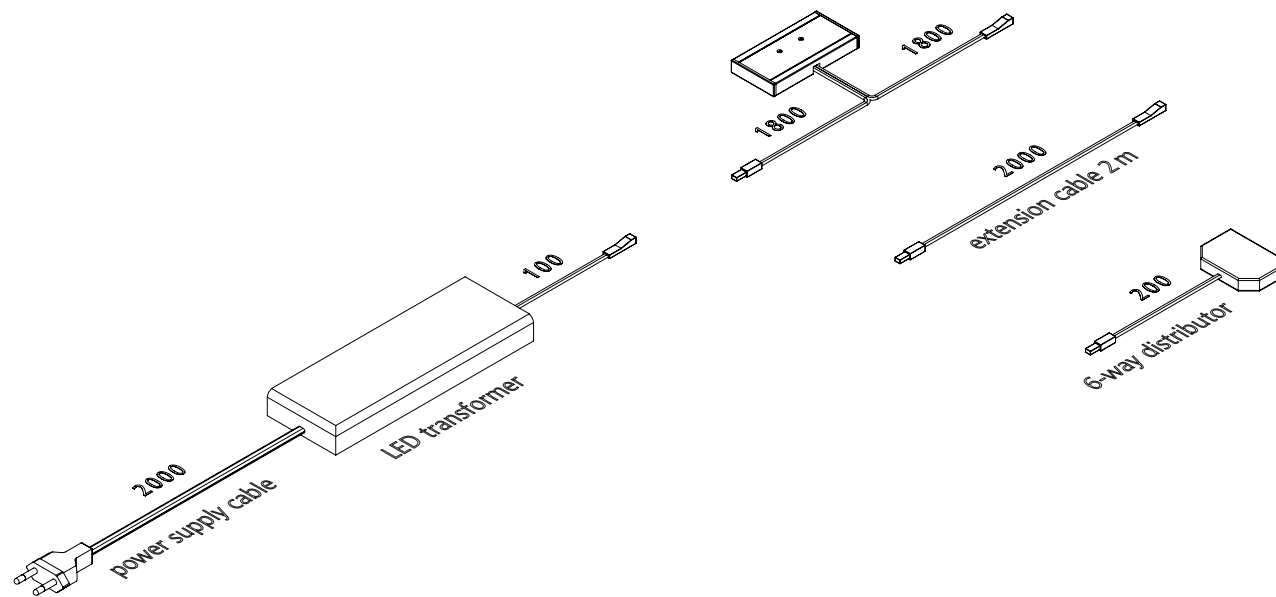
** L x W x H
Dimensions in mm

GERA LED control unit
with a sensor switch within the casing

www.gera-leuchten.de

Technical Information 06/28/2016

Nominal voltage	230 V, 50 – 60 Hz
Supply unit	electronic transformer
Connecting cable	2 m with Euro plug
Control unit	Attachable to aluminium casing
Control unit/dimension	80x40x10 mm
Operation	sensor switch, contact-free
Distributor	6-fach sistributor mini plug system
Power/dimension	30 Watt/160x58x18 mm
	50 Watt/185x64x22 mm
	75 Watt/200x64x30 mm



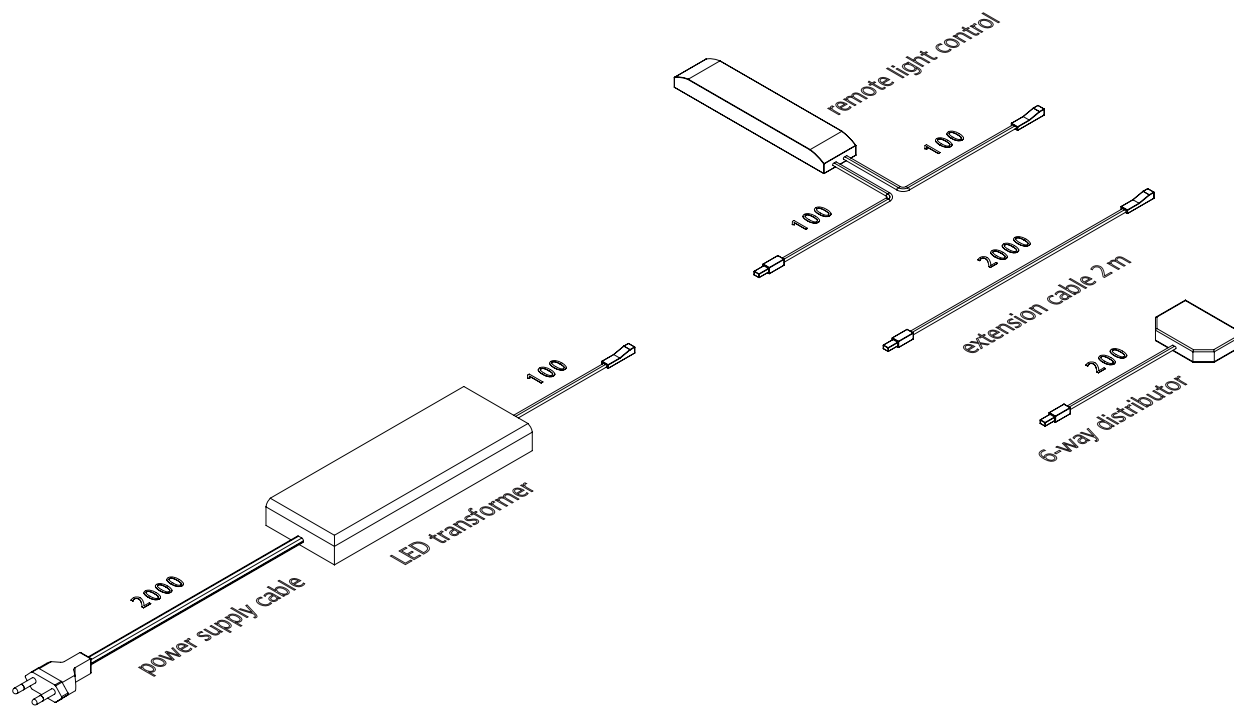
** L x W x H
Dimensions in mm

GERA LED control unit white adaptation
with remote light control

www.gera-leuchten.de

Technical Information 06/28/2016

Nominal voltage	230 V, 50 – 60 Hz
Supply unit	electronic transformer
Connecting cable	2 m with Euro plug
Control unit/dimension	remote light control unit/140x30x13 mm
Operation	APP
Distributor	6-fach distributor mini plug system
Power/dimension	30 Watt/160x58x18 mm 50 Watt/185x64x22 mm 75 Watt/200x64x30 mm



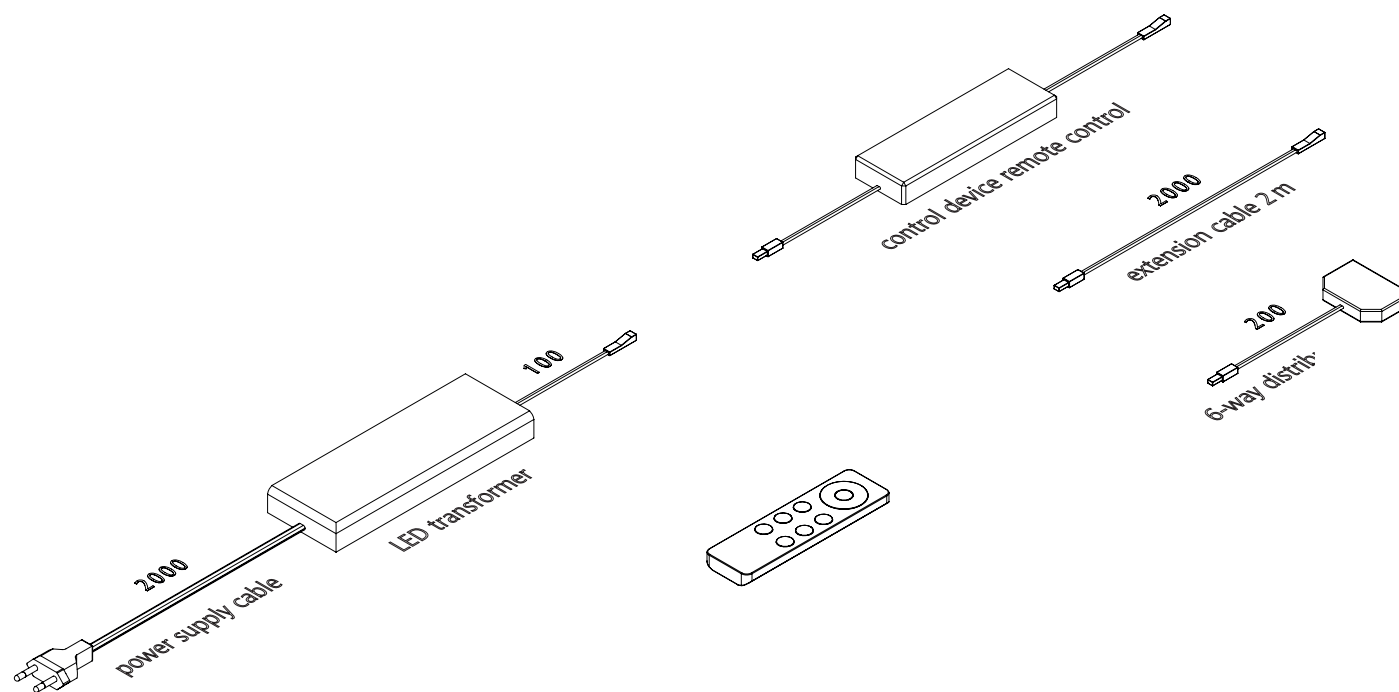
** L x W x H
Dimensions in mm

GERA LED control unit white adaptation with remote control

www.gera-leuchten.de

Technical Information 06/28/2016

Nominal voltage	230 V, 50 – 60 Hz
Supply unit	electronic transformer
Connecting cable	2 m with Euro plug
Control unit/dimension	remote control device/145x47x17 mm
Operation/dimensions	remote control/136x40x11 mm
Distributor	6-fach distributor mini plug system
Power/dimensions	30 Watt/160x58x18 mm 50 Watt/185x64x22 mm 75 Watt/200x64x30 mm



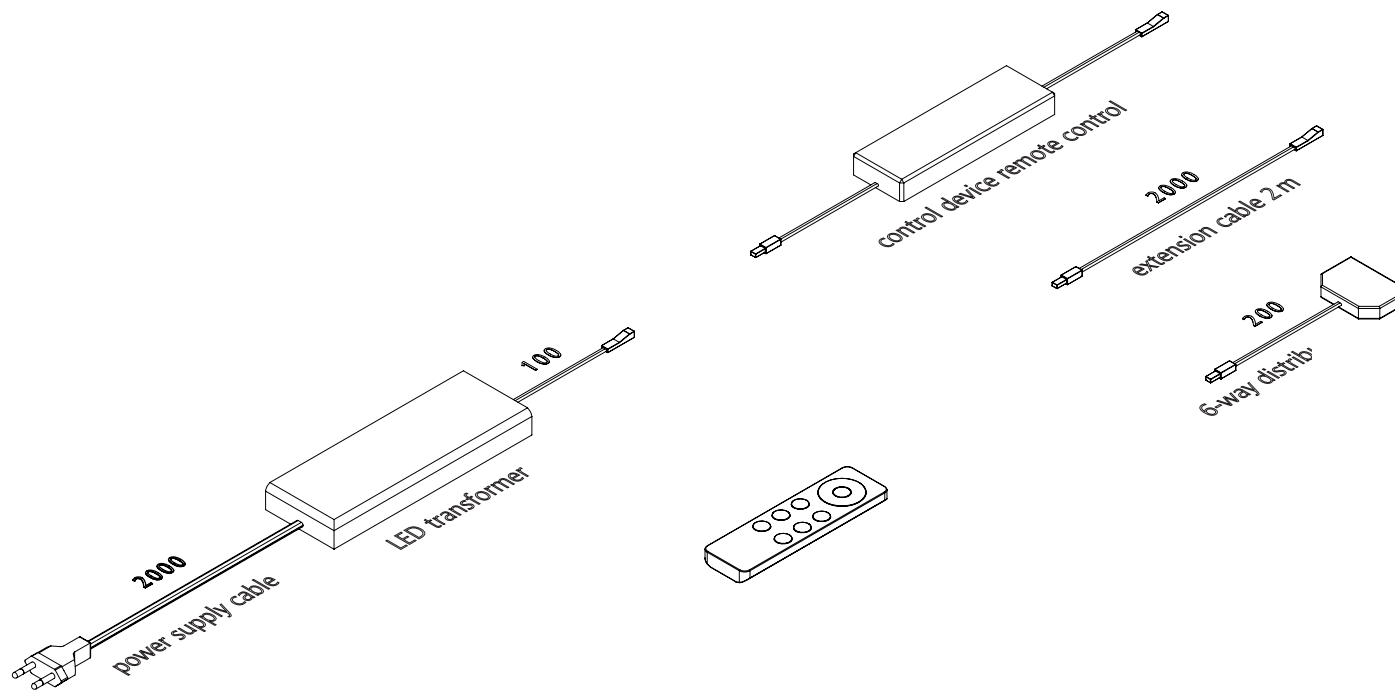
** L x W x H
Dimensions in mm

GERA LED control unit colour adaption with remote control

www.gera-leuchten.de

Technical Information 06/28/2016

Nominal voltage	230 V, 50 – 60 Hz
Supply unit	electronic transformer
Connecting cable	2 m with Euro plug
Control unit/dimensions	remote control device/145x47x17 mm
Operation/dimensions	remote control/136x40x11 mm
Distributor	6-fach distributor mini plug system
Power/dimensions	30 Watt/160x58x18 mm 50 Watt/185x64x22 mm 75 Watt/200x64x30 mm



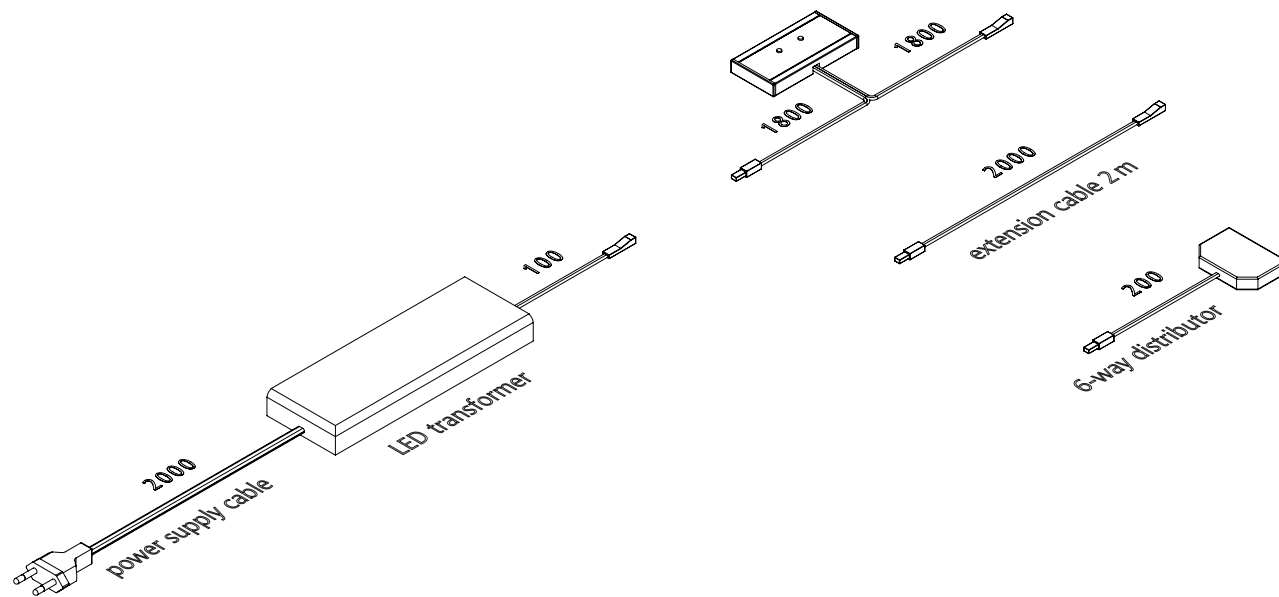
** L x W x H
Dimensions in mm

GERA LED control unit white adaptation
with micro button switch within the casing

www.gera-leuchten.de

Technical Information 06/28/2016

Nominal voltage	230 V, 50 – 60 Hz
Supply unit	electronic transformer
Connecting cable	2 m with Euro plug
Control unit	attachable to aluminium casing
Control unit/dimensions	80x40x10 mm
Operation	micro button switch
Distributor	6-fach distributor mini plug system
Power/dimensions	30 Watt/160x58x18 mm
	50 Watt/185x64x22 mm
	75 Watt/200x64x30 mm



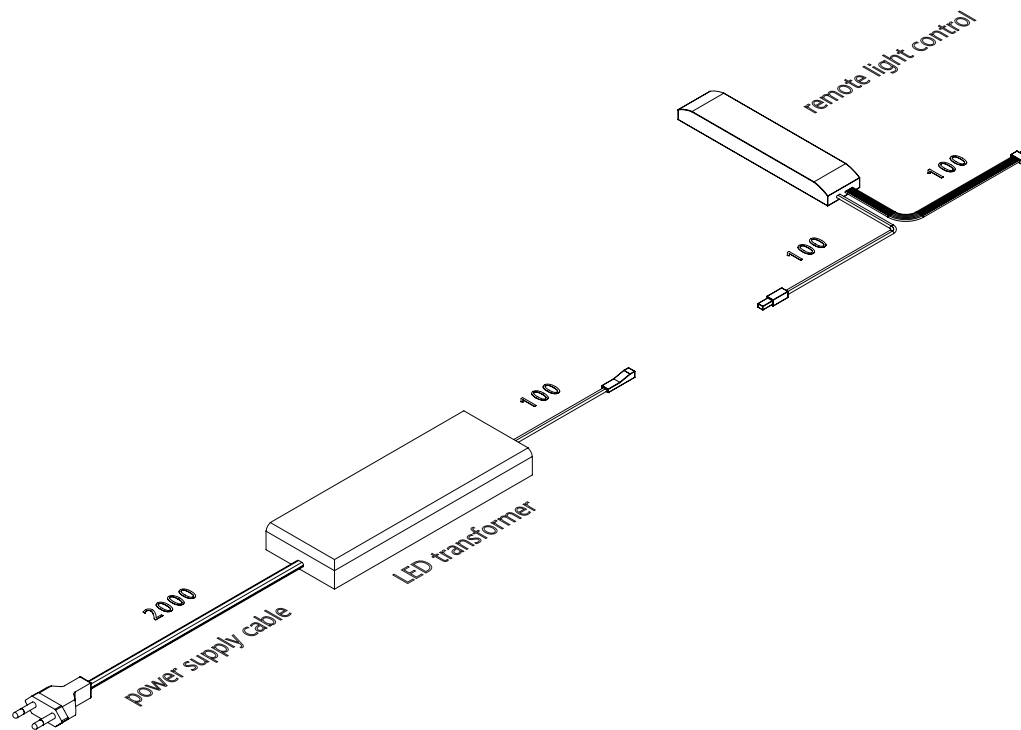
** L x W x H
Dimensions in mm

GERA LED control unit colour adaptation RGB-W
with remote light control

www.gera-leuchten.de

Technical Information 06/28/2016

Nominal voltage	230 V, 50 – 60 Hz
Supply unit	electronic transformer
Connecting cable	2 m with Euro plug
Control unit/dimensions	remote light control unit/140x30x13 mm
Operation	APP
Power/dimensions	30 Watt/160x58x18 mm 50 Watt/185x64x22 mm 75 Watt/200x64x30 mm



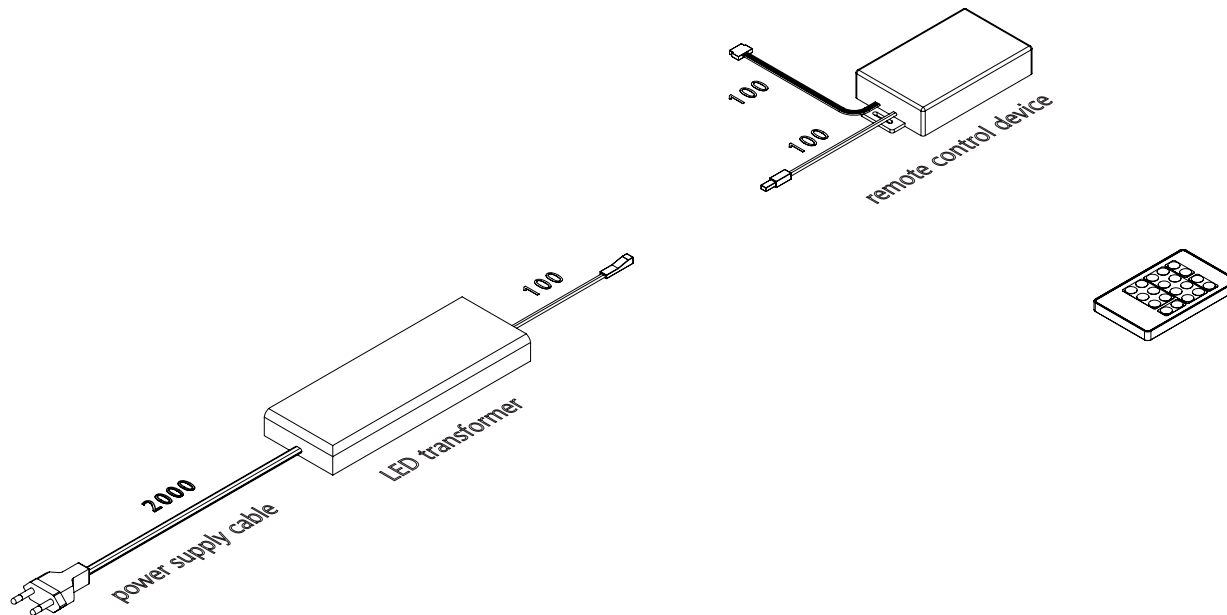
** L x W x H
Dimensions in mm

GERA LED control unit colour adaptation RGB
with remote control

www.gera-leuchten.de

Technical Information 06/28/2016

Nominal voltage	230 V, 50 – 60 Hz
Supply unit	electronic transformer
connecting cable	2 m with plug/Euro plug
Control unit/dimensions	electronic sequencer/103x64x22 mm
Operation/Maß	remote control/85x52x7 mm
Power/Maß	30 Watt/160x58x18 mm 50 Watt/185x64x22 mm 75 Watt/200x64x30 mm



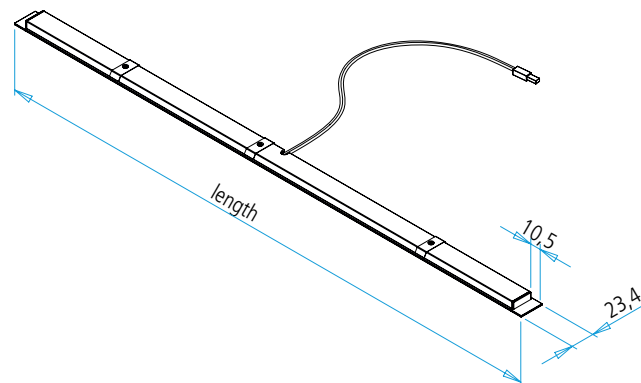
** L x W x H
Dimensions in mm

Built-in light GERA light system 4 (Häcker Kitchen)

Technische Informationen 15.06.2016

Light connection	middle, connecting cable 1,8 m with mini plug
Length of light	minimum 260,5 mm maximum 1160,5 mm
Surface	anodised aluminium coloured
Features	mini plug connection for illuminant
Retaining clips	
Milling dimensions	557,5 - 1157,5 x 21,5 x 12,5

Nominal voltage	12 V DC
Illuminant	LED
Light colour	4000 K (neutral white)
Brightness	1000 lm/m
Power	12 W/m
Energy efficiency class	A+
Protection class	◊
Protection type	IP 20



Dimensions in mm