

Under-unit light 40x10 GERA light system 6

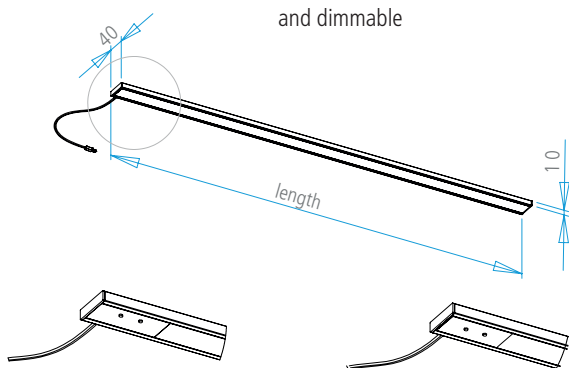
Technical Information 03/03/2017

Light connection	left, connecting cable 1,5 m with mini plug
Length of light	minimum 300 mm maximum 5000 mm
Acryl cover	delivered in a shorter form due to heat expansion
Surface	anodised aluminium coloured anodised stainless steel coloured
Features	sensor switch on/off and dimming (optional) sensor switch for installation in cabinet micro button switch, white adaptation - adjustable from warm white to cold white and dimmable colour adaptation - adjustable throughout the entire colour spectrum and dimmable

Light distribution diagram

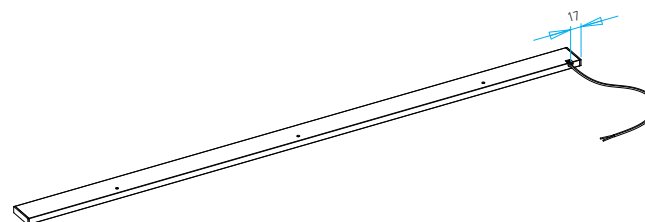
Kelvin	2700	4000	120°	Distance
Lux	2100	2360	•	250 mm
	930	1010	•	500 mm
	510	580	•	750 mm
	330	360	•	1000 mm

Nominal voltage	24 V
Illuminant	LED
Light colour	2700 K (warm white) 4000 K (neutral white)
Brightness	1600 lm/m
Power	19 W/m
Light colour white adaptation	2700 - 6500 K
Brightness	1000 lm/m
Power	14,5 W/m
Light colour colour adaptation	entire colour spectrum
Brightness	1000 lm/m
Power	20 W/m
Energy efficiency class	A+
Protection class	◊
Protection type	IP 20



Version with
micro button switch

Version with
sensor switch



Dimensions in mm